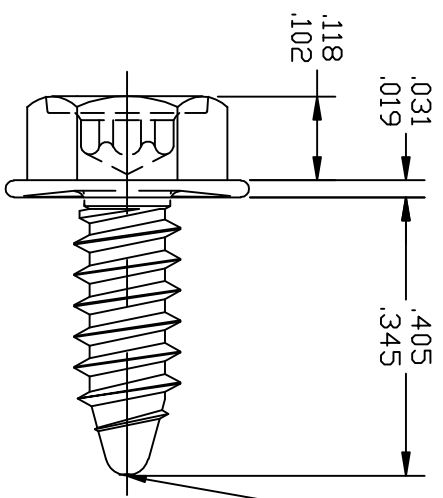
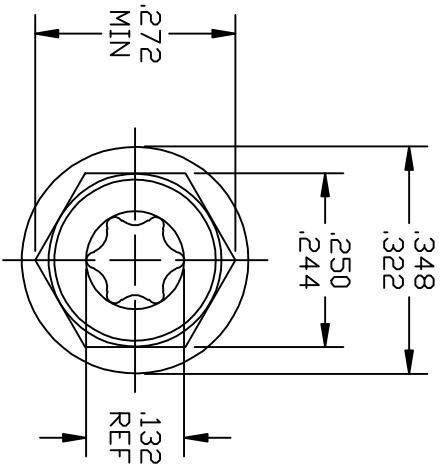


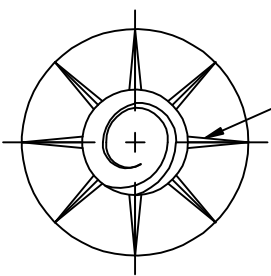
'THIS DOCUMENT AND ITS CONTENTS CONTAIN PROPRIETARY INFORMATION OF ITV SHAKEPROOF GROUP, AN ILLINOIS TOOL WORKS COMPANY, AND IS TO BE HELD IN STRICT CONFIDENCE. IT SHALL NOT BE DESCRIBED, USED, COPIED OR SHOWN, IN WHOLE OR IN PART, WITHOUT THE EXPRESS WRITTEN PERMISSION OF ITV SHAKEPROOF GROUP. NO CHANGES WILL BE MADE TO THE PART OR PROCESS THAT CONCERN FORM, FIT, FUNCTION, OR DURABILITY WITHOUT THE EXPRESSED WRITTEN PERMISSION OF ITV SHAKEPROOF GROUP.'

CUSTOMER APPROVAL
 DK TD MANUFACTURE
 NAME: _____ DATE: _____

REV	DESCRIPTION	ECRNO	DATE	NAME



RADIUS POINT
 R = .045 REF



8 EQUALLY SPACED
 SERRATIONS

8-18 TYPE B SPACED THREAD

MAJOR DIA: .1750, .1650
 MINOR DIA: .1250, .1150

SALES PRINT

TORX RECESS : T15
 TORX PENETRATION: .045 MIN
 TORX FALLAWAY PENETRATION: .026 MAX

8-18 X .375 TORX IND HEX WASHER HEAD
 HURRICANE RITE SCREW



Shakeproof group
 ITV • BE • LEITZE • MELNERS • SHAKEPROOF

DRAWN: JSANDERSON
 DATE: 10/18/13

MATERIAL: SAE: 1022 (B4A70) FINISH: VK (F70B21C2)

HT: CASE RC 45 MIN @ .004-.009, CORE RC 28-38

NOTE:
 1) ALL UNSPECIFIED DIMENSIONS AND REQUIREMENTS AS PUBLISHED IN CURRENT IFI STANDARDS

ENG-001844

REV	0
-----	---